

This camera manual library is for reference and historical purposes, all rights reserved.

This page is copyright by mike@butkus.org M. Butkus, N.J.

This page may not be sold or distributed without the expressed permission of the producer

I have no connection with any camera company

If you find this manual useful, how about a donation of \$3 to: M. Butkus, 29 Lake Ave., High Bridge, NJ 08829-1701 and send your E-mail address too so I can thank you. Most other places would charge you \$7.50 for a electronic copy or \$18.00 for a hard to read Xerox copy. These donations allow me to continue to buy new manuals and maintain these pages. It'll make you feel better, won't it?

If you use Pay Pal, use the link below. Use the above address for a check, M.O. or cash. Use the E-mail of butkusmi@ptd.net for PayPal.



[back to my "Orphancameras" manuals /flash and light meter site](#)

Only one "donation" needed per manual, not per multiple section of a manual !

The large manuals are split only for easy download size.

H A S S E L B L A D



903 SWC

**Illustrations; Abbildungen; Illustrations
Ilustraciones; Illustrazioni; Illustraties; Illustrationer**

GB

NOTE: Numbers in italic typeface, appearing in headlines and text in the manual refer to the corresponding illustrations in this booklet.

D

HINWEIS: Die kursiv dargestellten Ziffern in den Überschriften und im Text der Bedienungsanleitung beziehen sich auf die entsprechenden Abbildungen in diesem Buch.

F

N.B. : Les numéros en italique dans les rubriques et le texte du Manuel d'Instructions renvoient aux figures correspondantes dans le Livre d' Illustrations.

E

N.B. : Los números en cursiva que aparecen en los títulos y el texto del Manual de Instrucciones hacen referencia a las ilustraciones correspondientes en el Libro de Ilustraciones.

I

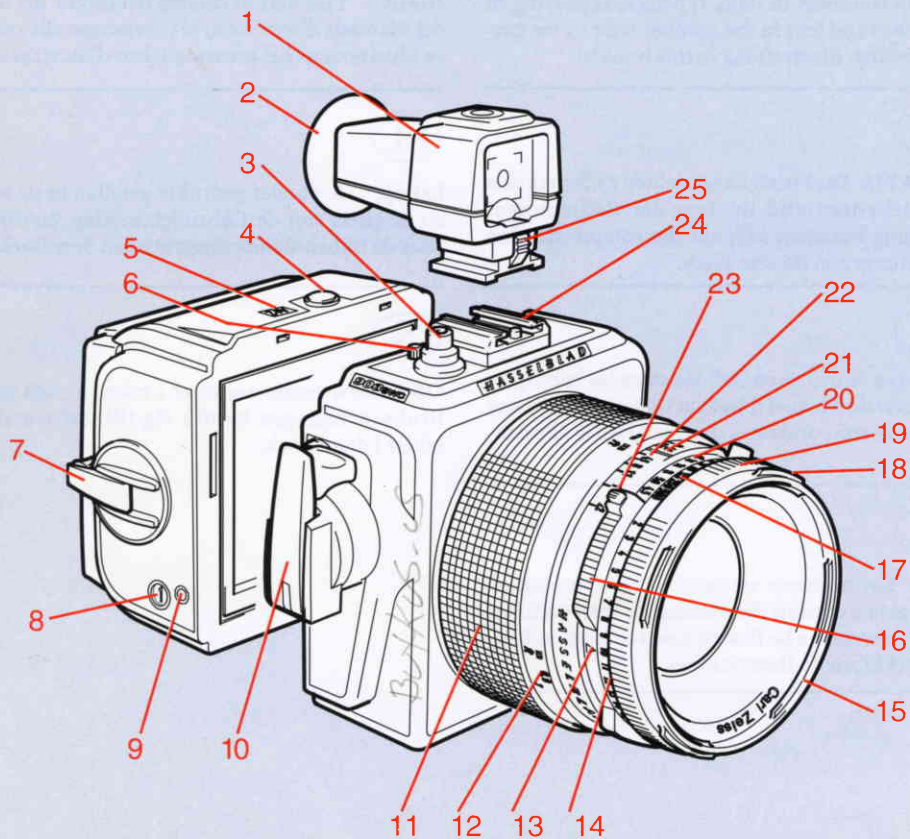
NOTA : I numeri in corsivo nei titoli e nel testo del Manuale d'istruzioni si riferiscono alle relative illustrazioni nel presente Libro d'illustrazioni.

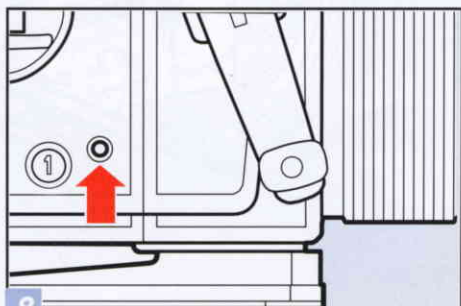
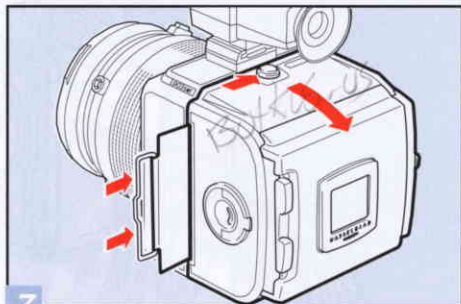
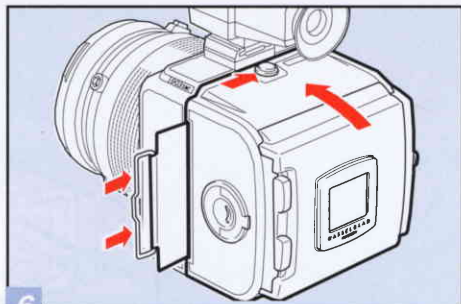
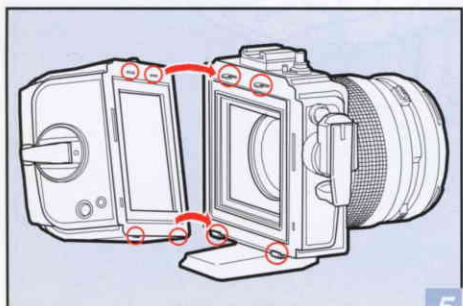
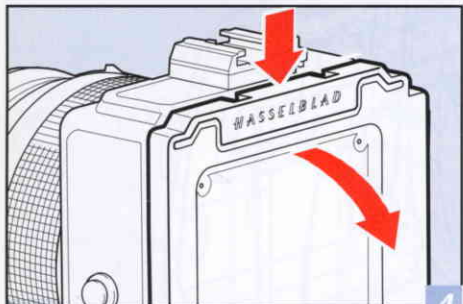
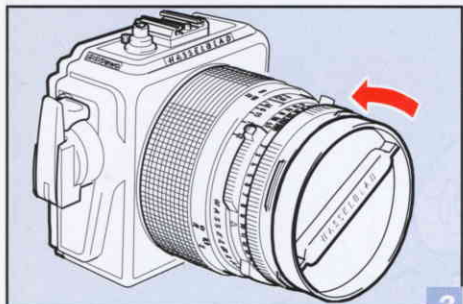
NL

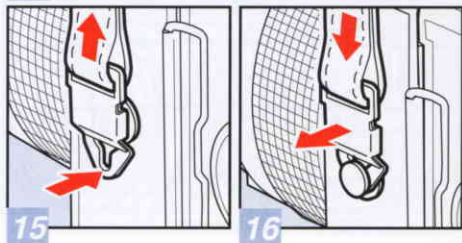
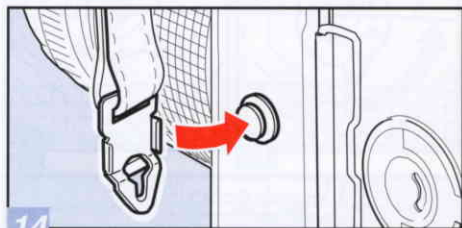
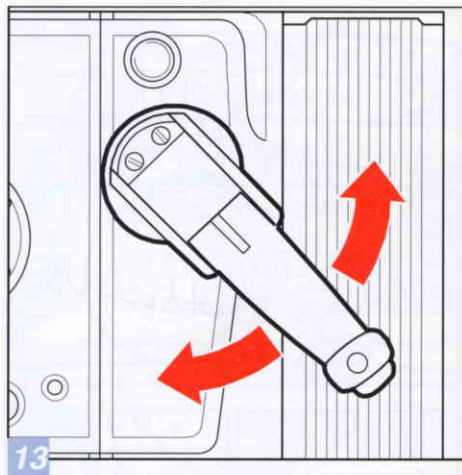
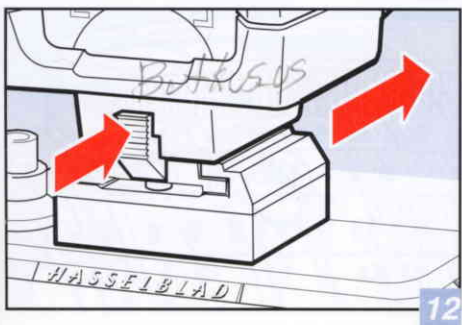
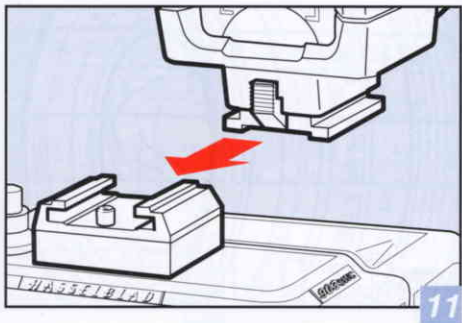
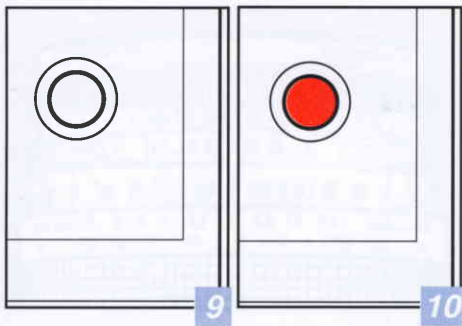
Let op: De cursief gedrukte getallen in de tekst en de titels van de Gebruiksawijzing verwijzen naar de bijbehorende illustraties in deze boek.

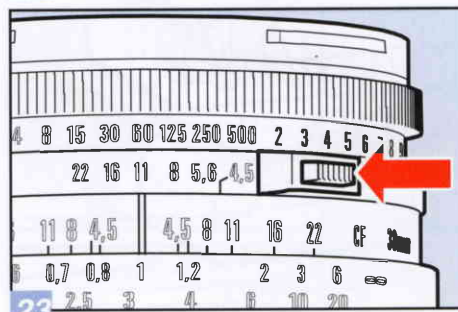
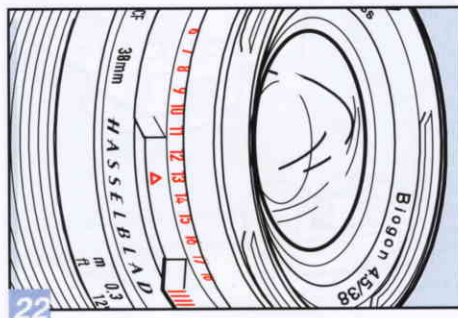
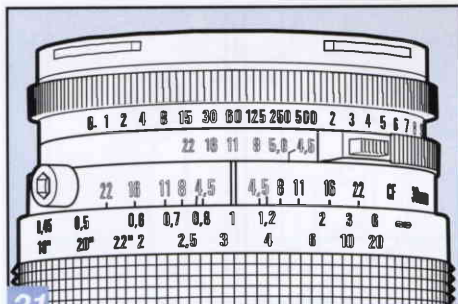
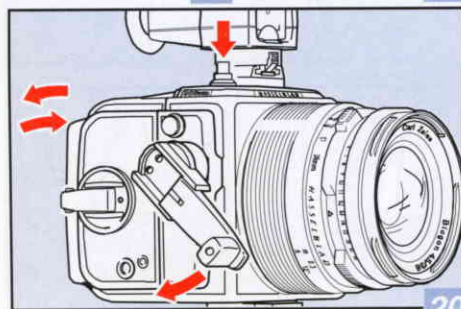
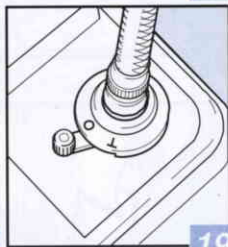
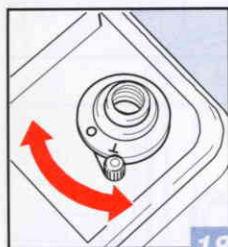
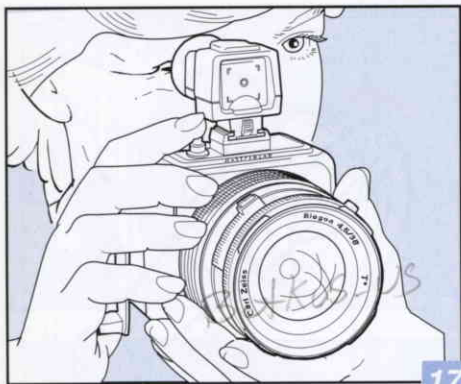
S

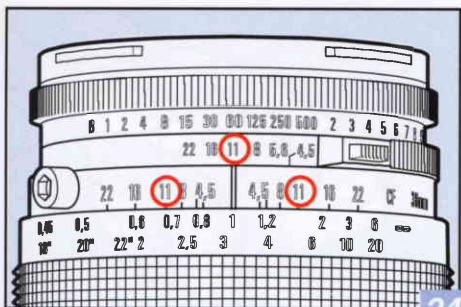
OBS: Kursiverade nummer i rubriker och text i Bruksanvisningen hänföer sig till motsvarande bilder i denna bok.











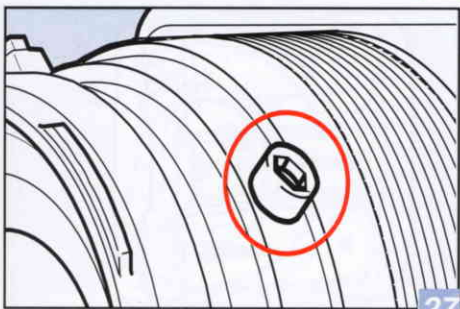
24

15	30	60	125	250	500
22	16	11	8	5.6	4.5
8	4.5	4.5	8	11	
2	3	6	∞		
6	10	20			

25

15	30	60	125	250	500
22	16	11	8	5.6	4.5
4.5	4.5	8	11	16	
2	3	6	∞		
6	10	20			

26



27

B	1	2	4	8	15	30	60	125	250	500	2	3	4	5
							22	16	11	8	5.6	4.5		
	22	16	11	8	4.5		4.5	8	11	16	22			
0.8	1	1.2	2	3	6	∞								
5	3	4	6	10	20									

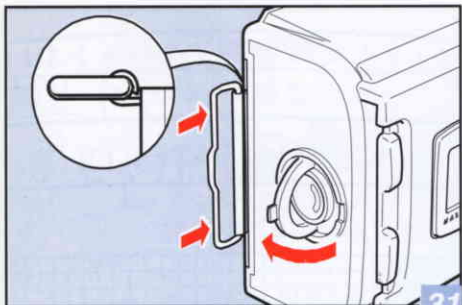
28

B	1	2	4	8	15	30	60	125	250	500	2	3	4	5
							22	16	11	8	5.6	4.5		
	22	16	11	8	4.5		4.5	8	11	16	22			
0.8	1	1.2	2	3	6	∞								
5	3	4	6	10	20									

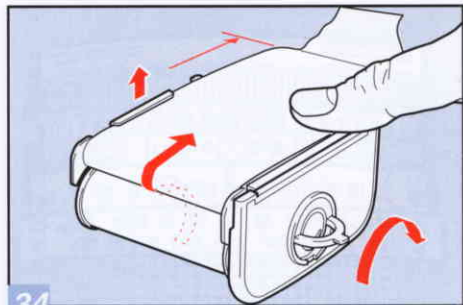
29

B	1	2	4	8	15	30	60	125	250	500	2	3	4	5
							22	16	11	8	5.6	4.5		
	22	16	11	8	4.5		4.5	8	11	16	22			
0.6	0.7	0.8	1	1.2	2	3	6	∞						
2	2.5	3	4	6	10	20								

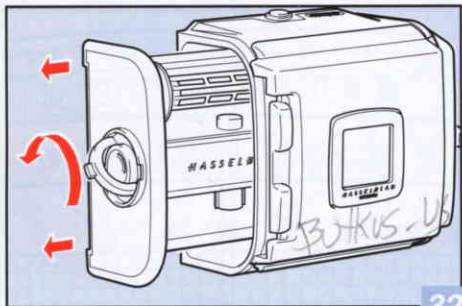
30



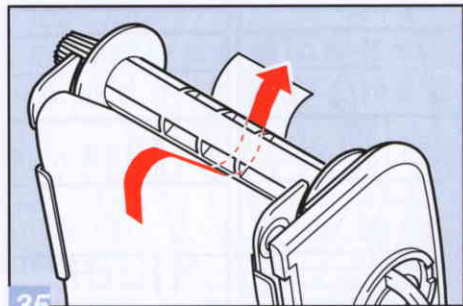
31



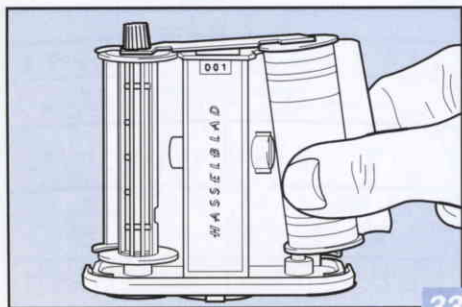
34



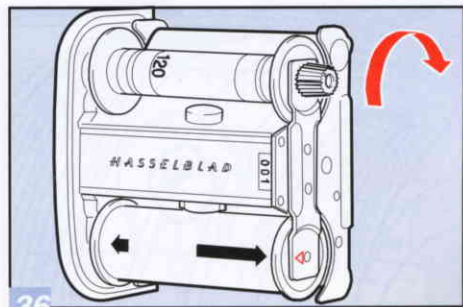
32



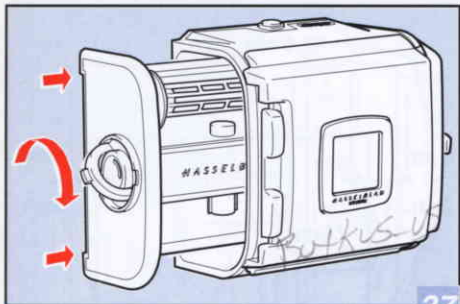
35



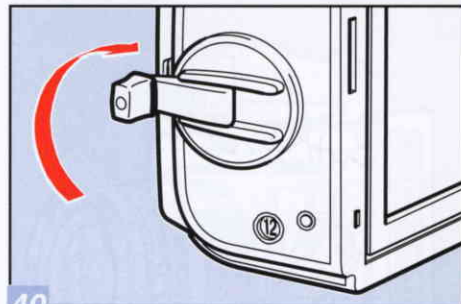
33



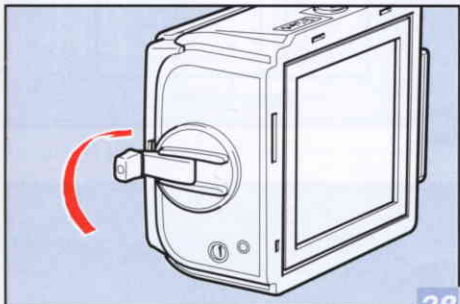
36



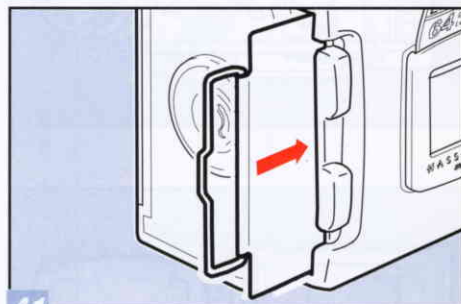
37



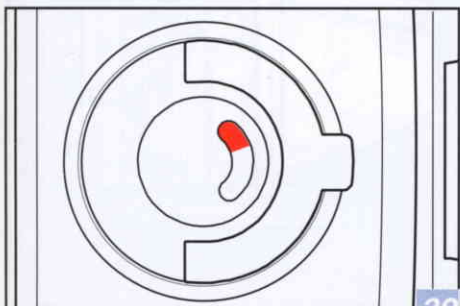
40



38



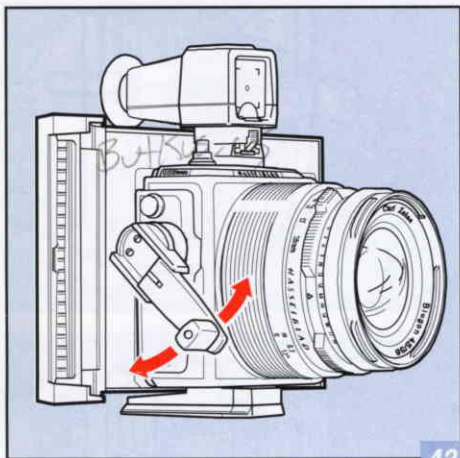
41



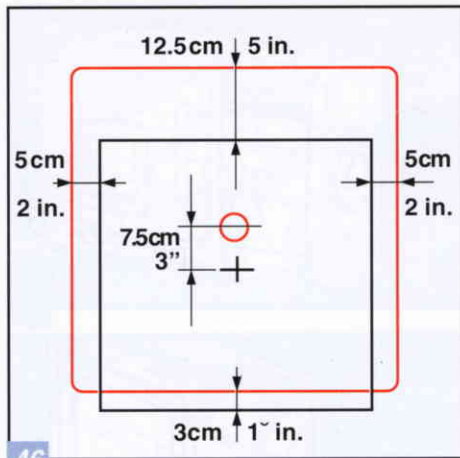
39



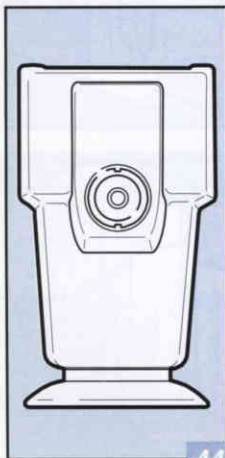
42



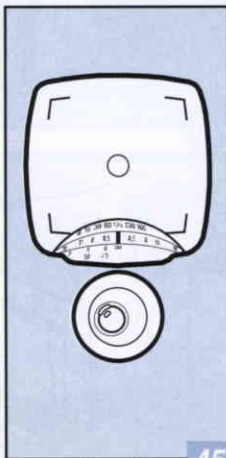
43



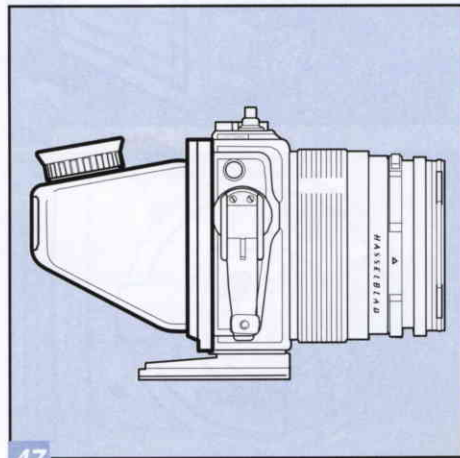
46



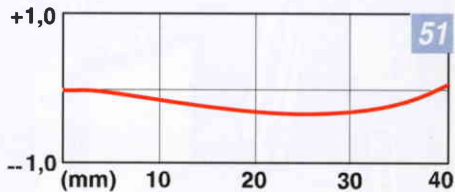
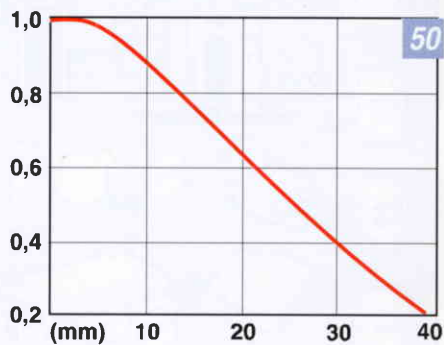
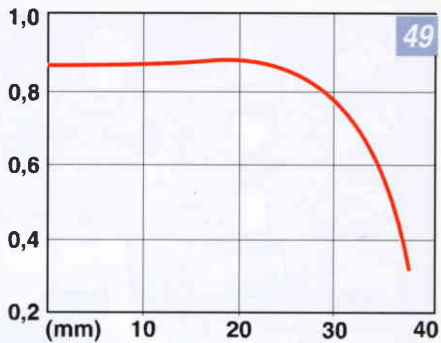
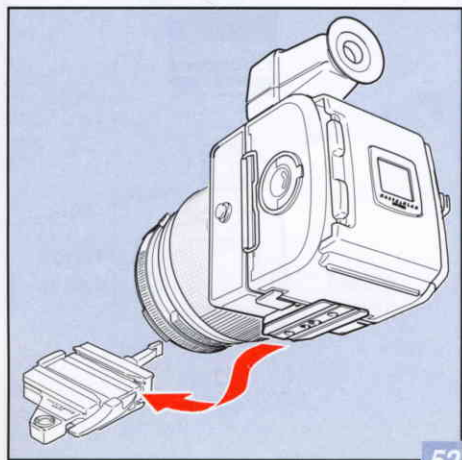
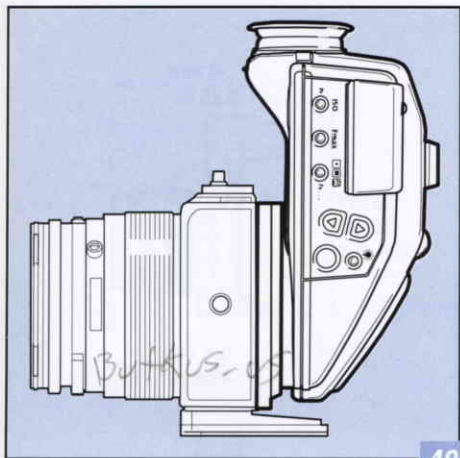
44

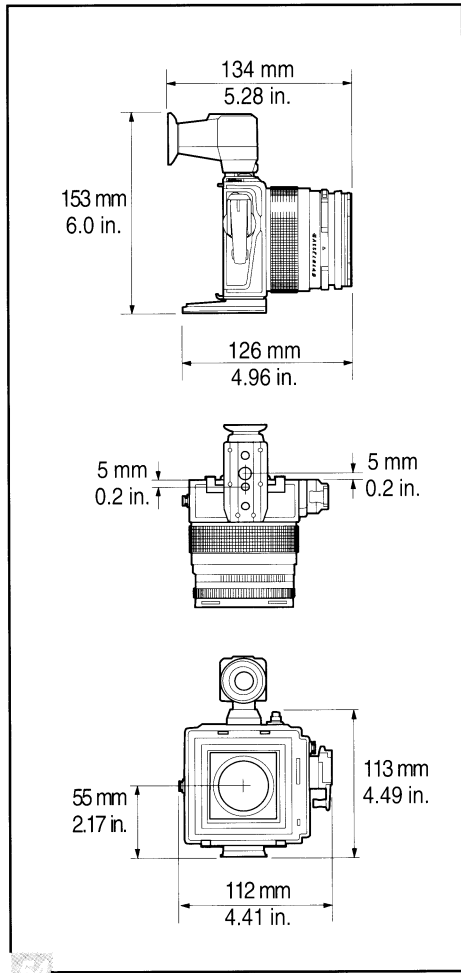
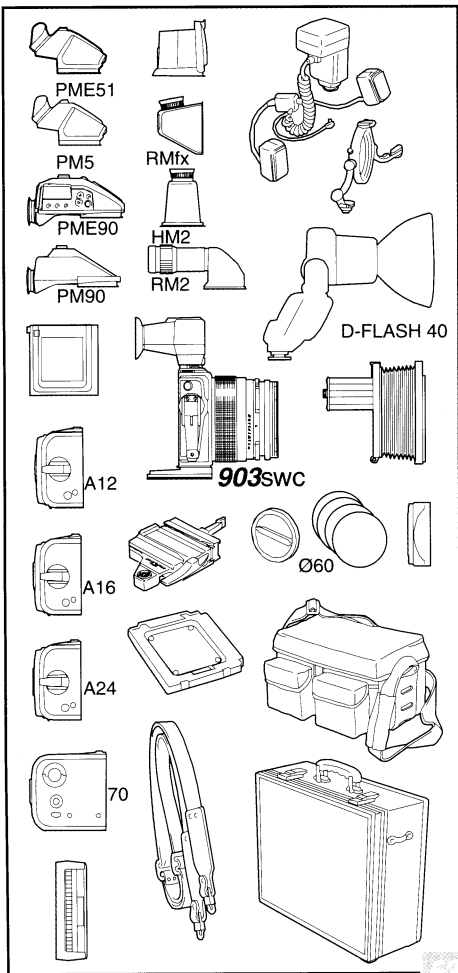


45



47







H A S S E L B L A D

Victor Hasselblad AB
Box 220, S-401 23 Göteborg, Sweden
e-mail: info@hasselblad.se
<http://www.hasselblad.se>
<http://www.hasselblad.com>

www.orphancameras.com